



Upgrade Kit B6870 for Return filter - 3.6 MW Yaw Brake

Applies for the following item numbers: B3251, B4346

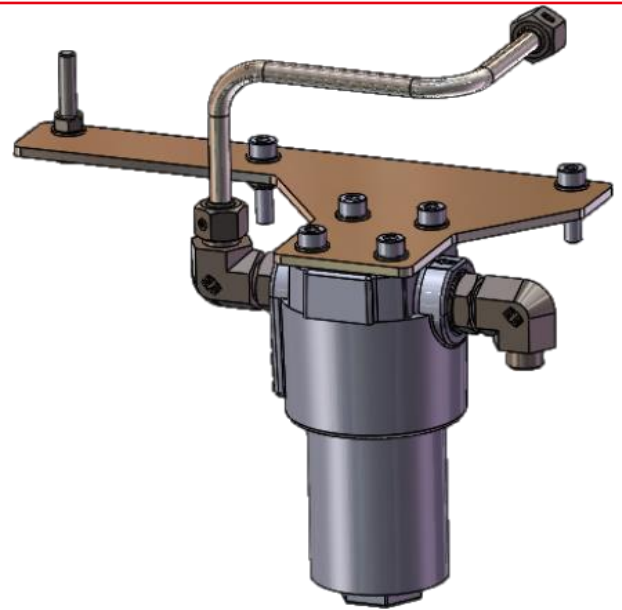
Purpose

Over time some of our customers have experienced malfunction on valve 330-332 and brake calipers on the Yaw brake hydraulic system. Due to high level of brake pads particles in the oil.

Solution

Installing the return filter upgrade kit B6870 from Hydratech Industries gives the following advantages

- Reduced particles with 99 %
- Reduced maintenance cost on brake calipers.
- Reduced maintenance cost on hydraulic components
- Plug and play solution

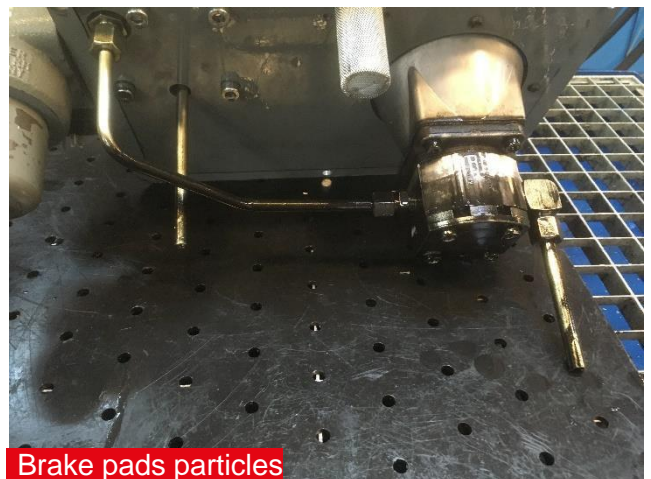


Document can be retrieved by contacting servicehwp@hydratech-industries.com.

Please contact our service department for further information.



Brake pads particles



Brake pads particles

Hydratech Industries

Your

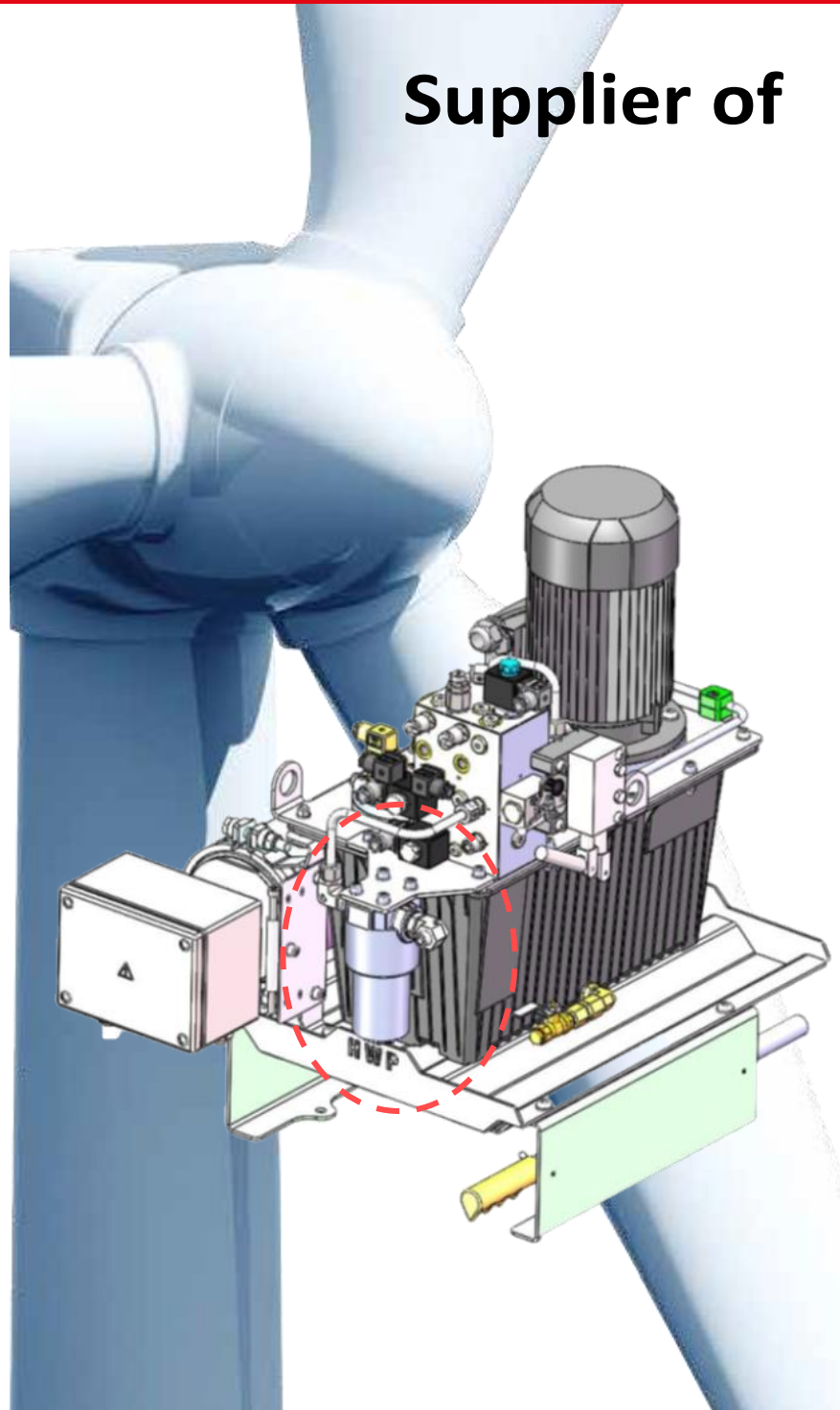
Regular

Maintenance

Supplier of

- Pitch Cylinders
- Filters
- Burst Discs
- Valves
- Accumulators
- Pumps
- Motors
- **Upgrade Kits**
- Complete Hydraulic Units
- Tool Kits

- *More than 30 years' experience*
- *Competitive prices*
- *Technical support*
- *Spare parts & repair*
- *Online access to documentation*



Contact us 24-7

Europe

Suensonsvej 14
DK-8600 Silkeborg

E-mail: servicehwp@hydratech-industries.com
Tel.: +45 8722 8181

USA

P.O. Box 2618
22955 McAuliffe Dr.
Robertsdale, AL 36567

E-mail: servicehwpUS@hydratech-industries.com
Tel.: +1 251 947 5300